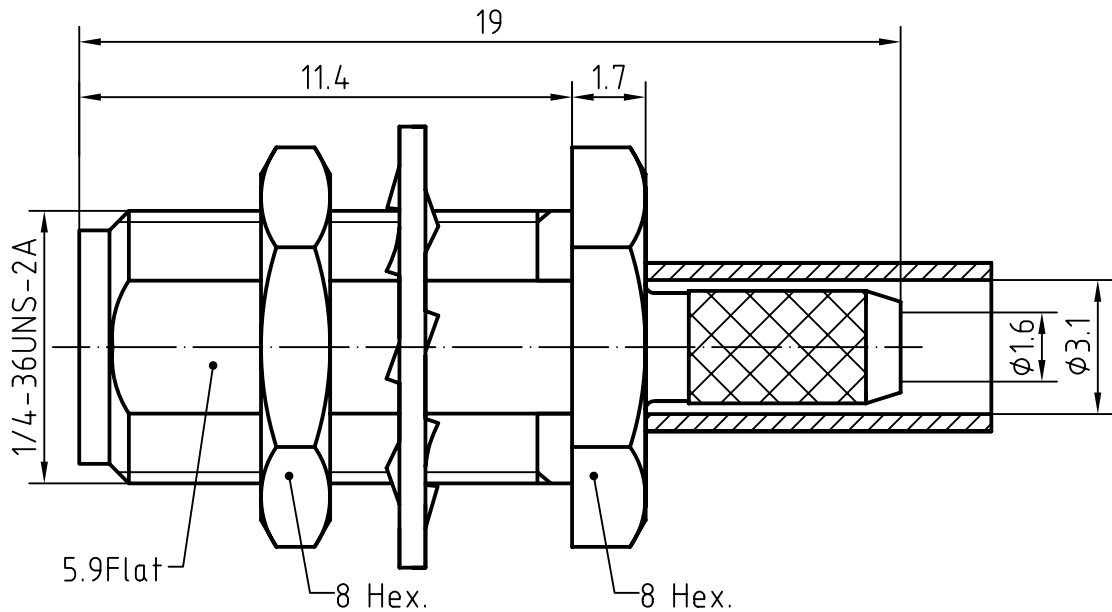
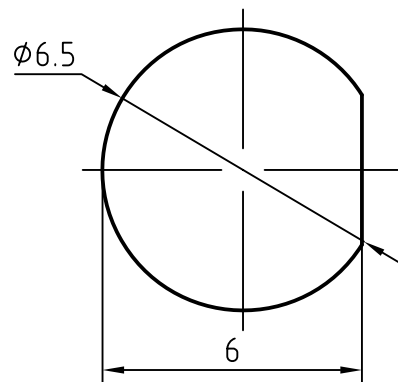
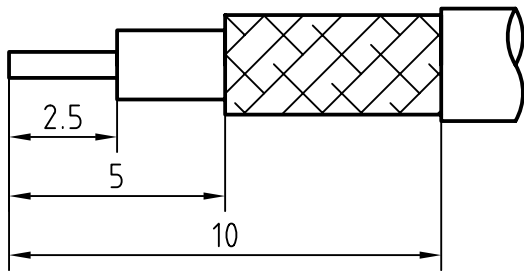


DRAWING



CABLE(RG174A/U, RG188A/U, RG316/U)

MOUNTING HOLE



5	1	Nut	Drass/Gold plated	
4	1	Washer	Beryllium bronze/Gold plated	
3	1	Body	Brass/Gold plated	
2	1	Insulator	PTFE	
1	1	Center contact	Beryllium copper/Gold plated	
Itemref	Quantity	Title/Name, designation, material, dimension etc		Article No./Reference

Designed by
xio xang

Checked by
jing lo

Approved by - date
jing chan

File name
SMA-11110-1

Date
06.08.30

Scale
5:1

RF CONNEC

SMA-11110-1

Edition
1.0

Sheet
1/1

CHARACTERISTICS

DESCRIPTION: SMA Type female BH connector

Electrical data:

<i>Impedance:</i>	50 ohm
<i>Frequency range:</i>	DC to 12.4 GHz
<i>VSWR:</i>	$\leq 1.05 + 0.04 \times f \text{ [GHz]}$
<i>Insertion loss:</i>	$\leq 0.06X \sqrt{f[\text{GHz}]} \text{ dB}$
<i>Insulation resistance:</i>	$\geq 5000M\Omega$
<i>Test voltage:</i>	1000 V rms
<i>Working voltage:</i>	480 V rms
<i>Contact resistance:</i>	
1). Centre contact:	3.0 m Ω
2). Outer conductor:	2.5 m Ω
<i>Power handling (at 20 ° C, sea level, VSWR 1.0):</i>	$\leq 200 \text{ W @ 2 GHz}$
<i>RF-leakage:</i>	$\geq 100 \text{ dB up to 1 GHz}$

Environmental data:

<i>Temperature rating:</i>	-55 ° C to +155 ° C
<i>2002/95/EC (RoHS):</i>	Compliant

Mechanical data:

<i>Mating cycles:</i>	≥ 500
<i>Coupling nut retention:</i>	$\geq 270 \text{ N}$
<i>Center contact captivation:</i>	$\geq 27 \text{ N(axial)}$
<i>Coupling test torque:</i>	$\leq 1.7 \text{ Nm}$
<i>Recommended torque:</i>	0.8 Nm to 1.1 Nm

Suitable cables:

RG174A/U, RG188A/U, RG316/U