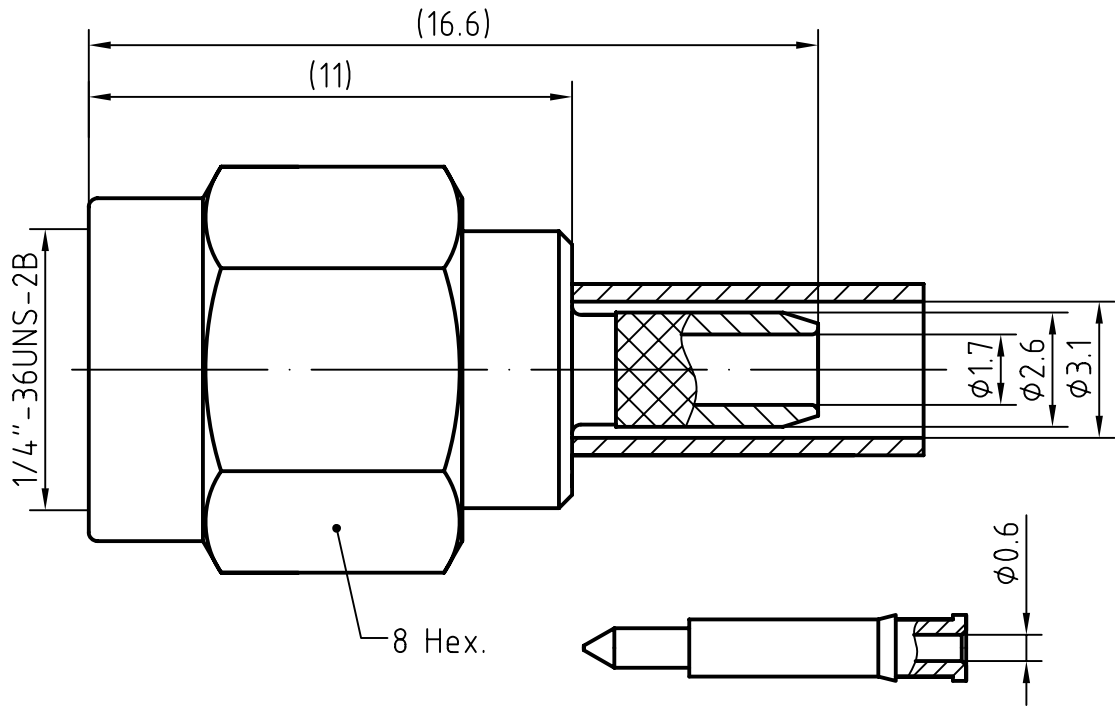
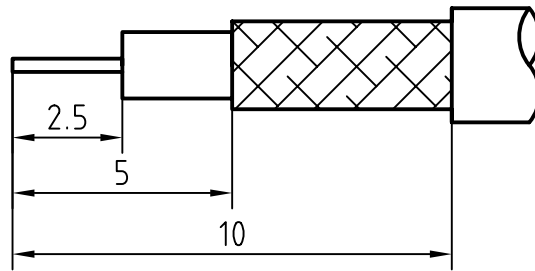


DRAWING




CABLE(RG174A/U, RG188A/U, RG316/U)



6	1	Ferrule	Copper alloy/Nickel plated	
5	1	O ring	Silicon rubber	
4	1	Coupling nut	Brass/Gold plated	Gold 0.2um over Nickel 2um
3	1	Body	Brass/Gold plated	Gold 0.2um over Nickel 2um
2	1	Insulator	PTFE	
1	1	Center contact	Brass/Gold plated	Gold 0.5um over Nickel 2um
Itemref	Quantity	Title/Name, designation, material, dimension etc		Article No./Reference

Designed by xio xang	Checked by jing lo	Approved by - date jing chan	File name SMA-1211-1	Date 07.07.18	Scale 6 : 1
-------------------------	-----------------------	---------------------------------	-------------------------	------------------	----------------

	SMA-1211-1	
	Edition 1.0	Sheet 1/1

CHARACTERISTICS

DESCRIPTION: SMA Type male connector

Electrical data:

<i>Impedance:</i>	50 ohm
<i>Frequency range:</i>	DC to 12.4 GHz
<i>VSWR:</i>	$\leq 1.08 + 0.04 \times f \text{ [GHz]}$
<i>Insertion loss:</i>	$\leq 0.15 \times \sqrt{f \text{ [GHz]}} \text{ dB}$
<i>Insulation resistance:</i>	$\geq 5000 \text{ M}\Omega$
<i>Test voltage:</i>	1000 V rms
<i>Working voltage:</i>	480 V rms
<i>Contact resistance:</i>	
1). Centre contact:	3.0 m Ω
2). Outer conductor:	2.5 m Ω
<i>Power handling (at 20 ° C, sea level, VSWR 1.0):</i>	$\leq 200 \text{ W @ 2 GHz}$
<i>RF-leakage:</i>	$\geq 100 \text{ dB up to 1 GHz}$

Environmental data:

<i>Temperature rating:</i>	-65 ° C to +165 ° C
<i>2002/95/EC (RoHS):</i>	Compliant

Mechanical data:

<i>Mating cycles:</i>	≥ 500
<i>Coupling nut retention:</i>	$\geq 270 \text{ N}$
<i>Center contact captivation:</i>	$\geq 27 \text{ N(axial)}$
<i>Coupling test torque:</i>	$\leq 1.1 \text{ Nm}$
<i>Recommended torque:</i>	0.46 Nm to 0.69 Nm

Suitable cables:

RG174A/U, RG188A/U, RG316/U