

DRAWING

A

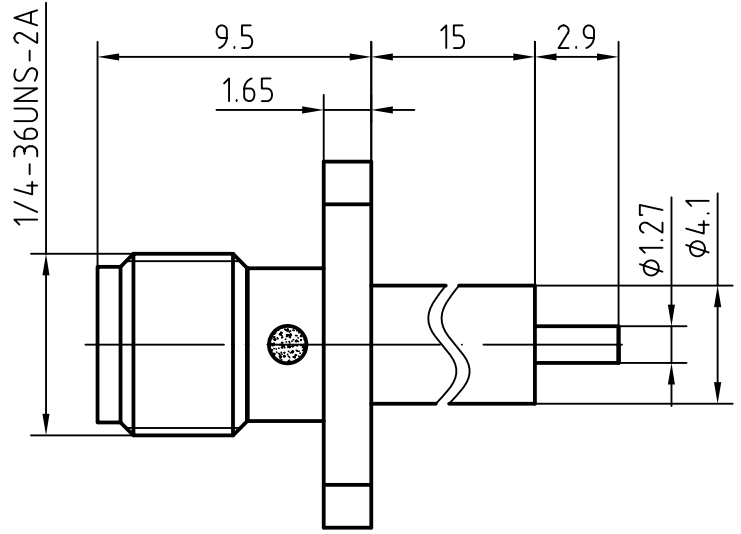
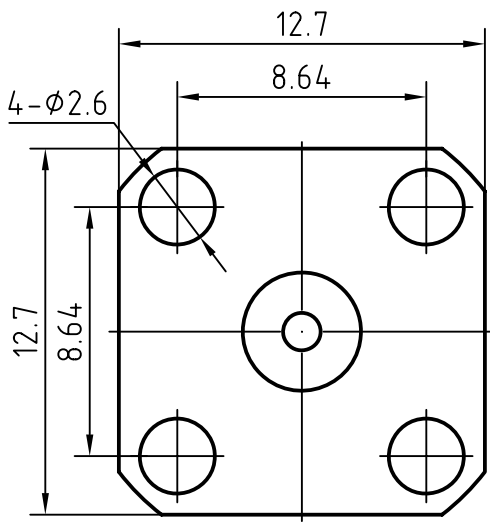
A

B

B

C

C



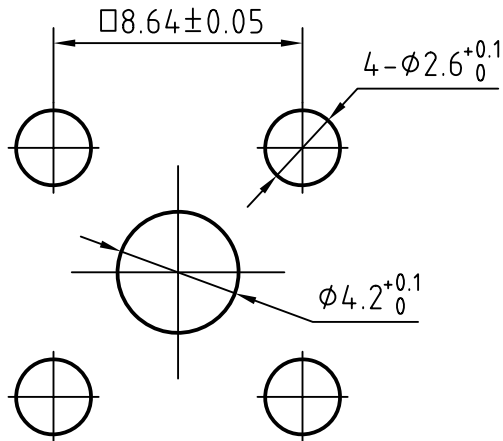
MOUNTING HOLE

D

D

E

E



3	1	Body	Brass/Gold plated
2	1	Insulator	PTFE
1	1	Center contact	Beryllium copper/Gold plated

F

F

Designed by xio xang	Checked by jing lo	Approved by - date jing chan	File name SMA-21134	Date 12.10.15	Scale 5 : 1
			SMA-21134		
			Edition 1.0	Sheet 1/1	

