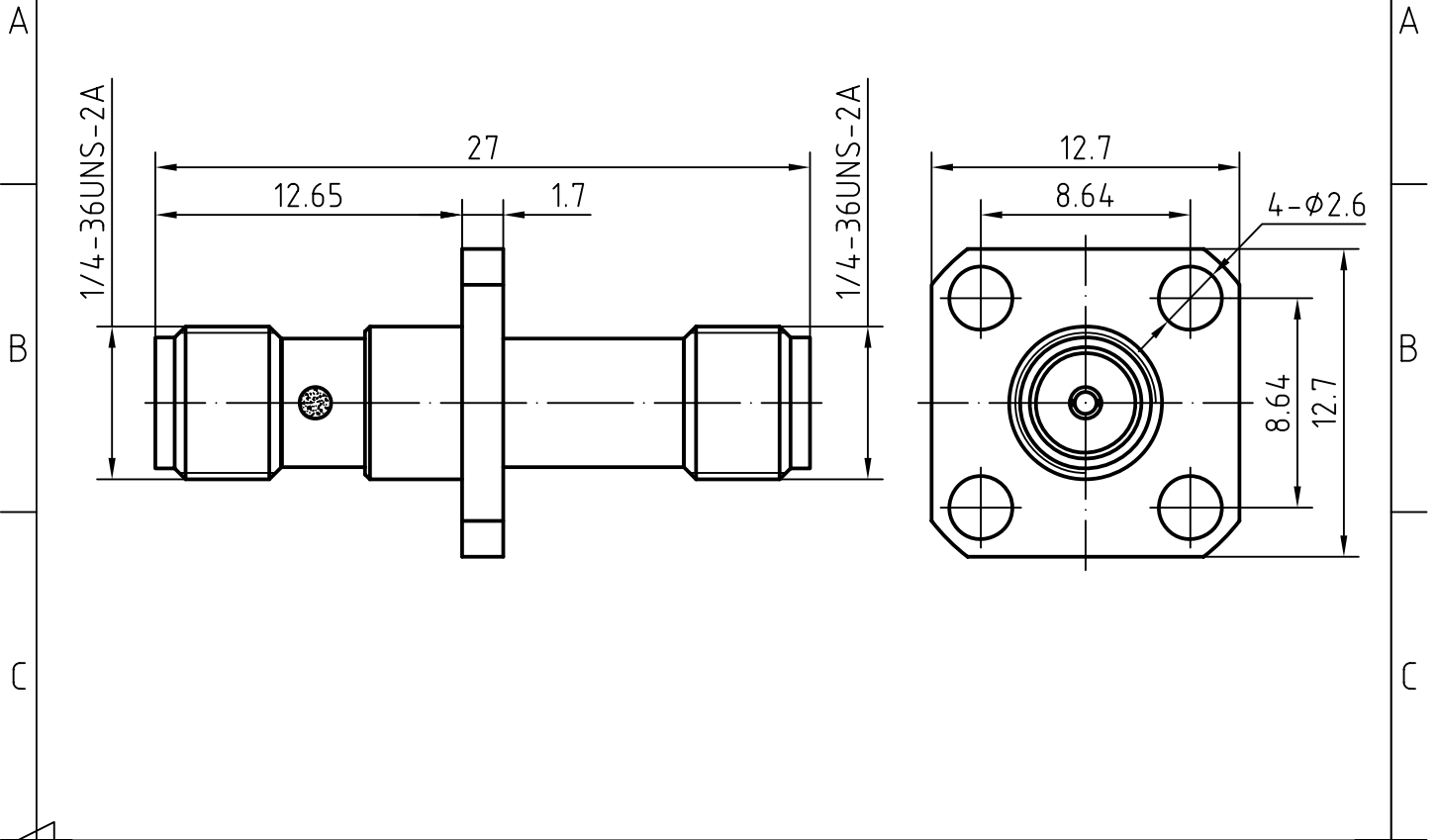
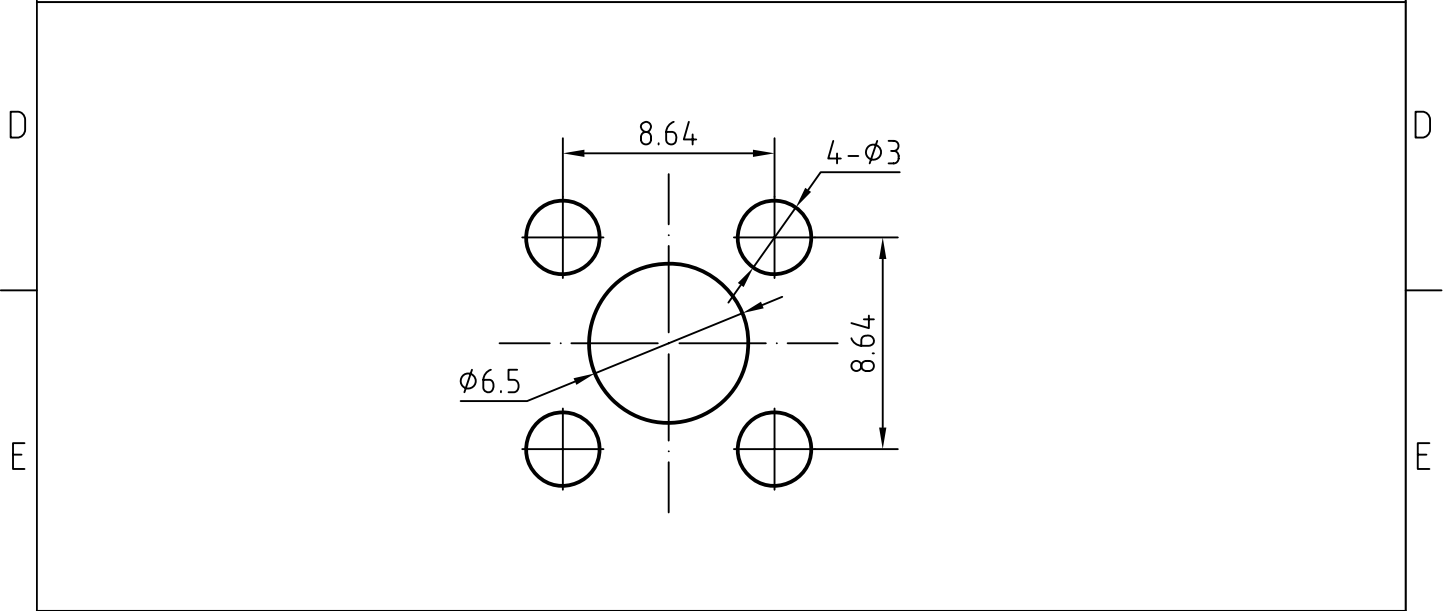


DRAWING



MOUNTING HOLE



3	1	Body	Brass/Gold plated
2	1	Insulator	PTFE
1	1	Center contact	Beryllium copper/Gold plated

Designed by xio xang	Checked by jing lo	Approved by - date jing chan	File name SMA-SMA-01114	Date 11.11.16	Scale 1:1
-------------------------	-----------------------	---------------------------------	----------------------------	------------------	--------------

	SMA-SMA-01114	
	Edition 1.0	Sheet 1/1

CHARACTERISTICS

DESCRIPTION:

ADAPTOR SMA JACK TO SMA JACK FL

Electrical data:

<i>Impedance:</i>	50 ohm
<i>Frequency range:</i>	DC to 18 GHz
<i>VSWR:</i>	$\leq 1.03 + 0.02 \times f \text{ [GHz]}$
<i>Insertion loss:</i>	$\leq 0.06 \times \sqrt{f \text{ [GHz]}} \text{ dB}$
<i>Insulation resistance:</i>	$\geq 5000 \text{ M}\Omega$
<i>Test voltage:</i>	1000 V rms
<i>Working voltage:</i>	480 V rms
<i>Contact resistance:</i>	
1). Centre contact:	3.0 m Ω
2). Outer conductor:	2.0 m Ω
<i>Power handling (at 20 ° C, sea level, VSWR 1.0):</i>	$\leq 200 \text{ W @ 2 GHz}$
<i>RF-leakage:</i>	$\geq 100 \text{ dB up to 1 GHz}$

Environmental data:

<i>Temperature rating:</i>	-65 ° C to +165 ° C
<i>2002/95/EC (RoHS):</i>	Compliant

Mechanical data:

<i>Mating cycles:</i>	≥ 500
<i>Center contact captivation:</i>	$\geq 27 \text{ N(axial)}$
<i>Recommended torque:</i>	0.46Nm-0.69Nm

Suitable cables:

N/A