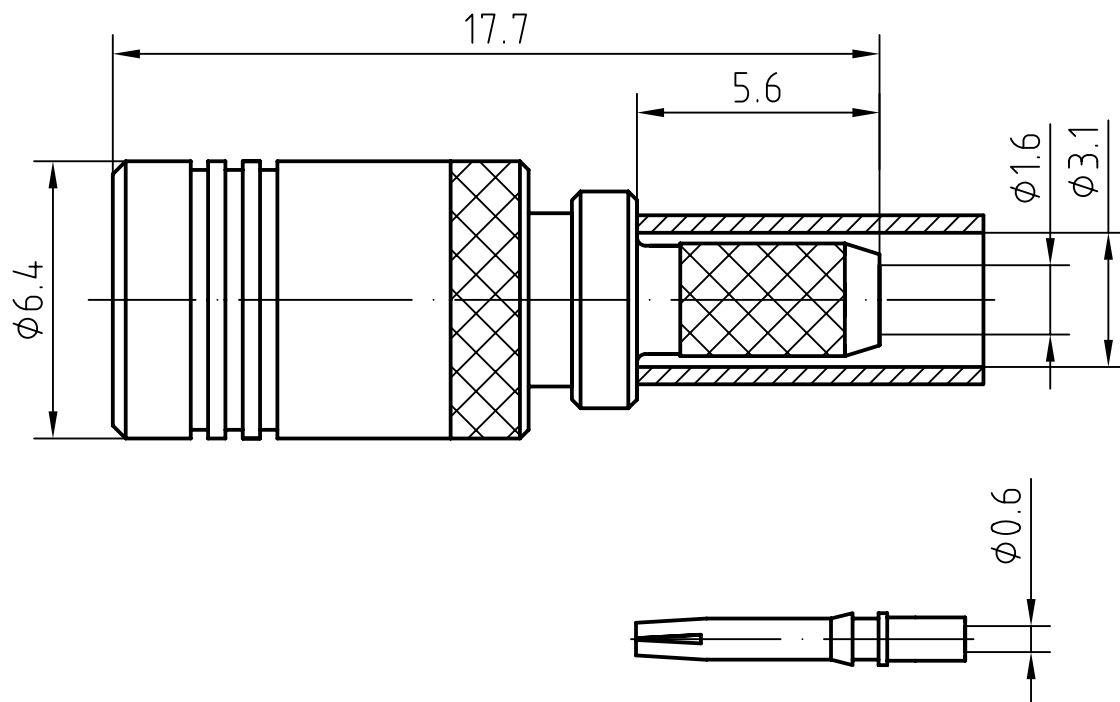
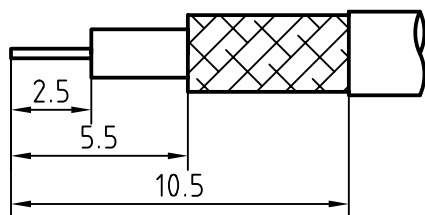


DRAWING

SMB Type female connector



CABLE(RG316/U, RG174A/U, RG188A/U)



3	1	Body	Brass/Gold plated	
2	1	Insulator	PTFE	
1	1	Center contact	Beryllium copper/Gold plated	
Itemref	Quantity	Title/Name, designation, material, dimension etc		Article No./Reference

Designed by
xio xangChecked by
jing loApproved by - date
jing chanFile name
SMB-1111-1Date
09.02.08Scale
6 : 1

SMB-1111-1

Edition
1.0Sheet
1/1

CHARACTERISTICS

DESCRIPTION: SMB Type female connector

Electrical data:

<i>Impedance:</i>	50 ohm
<i>Frequency range:</i>	DC to 4.0 GHz
<i>VSWR:</i>	$\leq 1.10 + 0.05 \times f[\text{GHz}]$
<i>Insertion loss:</i>	$\leq 0.15 \times \sqrt{f[\text{GHz}]} \text{ dB}$
<i>Insulation resistance:</i>	$\geq 1000\text{M}\Omega$
<i>Test voltage:</i>	750 V rms
<i>Working voltage:</i>	250 V rms
<i>Contact resistance:</i>	
1). Centre contact:	6.0 m Ω
2). Outer conductor:	1.5 m Ω
<i>RF-leakage :</i>	$\geq 55 \text{ dB up to } 1 \text{ GHz}$

Environmental data:

<i>Temperature rating:</i>	-65° C to +165° C
<i>2002/95/EC (RoHS):</i>	Compliant

Mechanical data:

<i>Mating cycles:</i>	≥ 500
<i>Center contact captivation:</i>	$\geq 10 \text{ N(axial)}$
<i>Engagement force :</i>	$\leq 63 \text{ N}$
<i>Disengagement force :</i>	8 N min. to 63 N max.

Suitable cables:

RG 316 /U, RG 174 A/U, RG 188 A/U