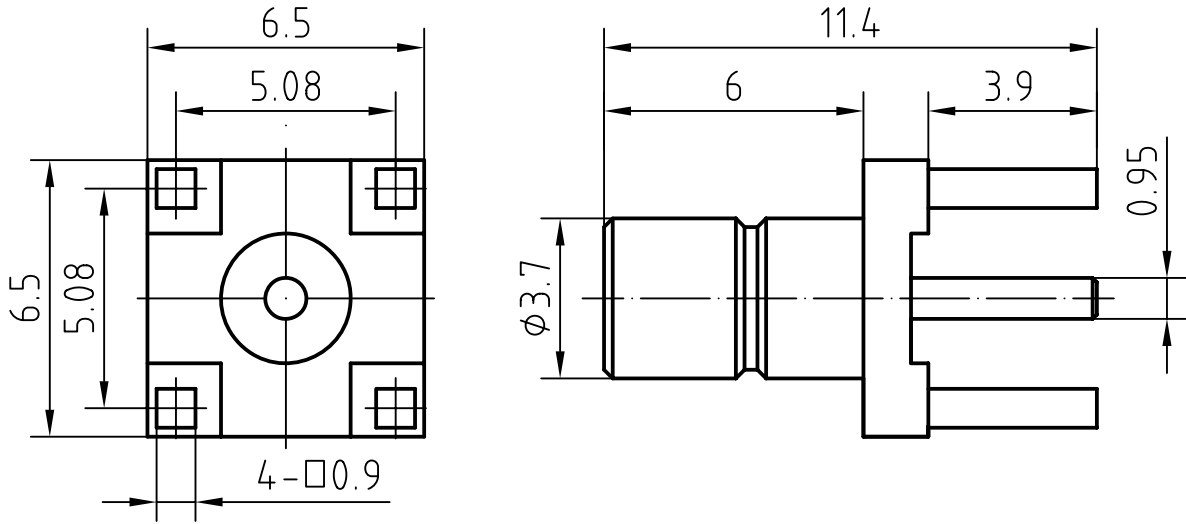
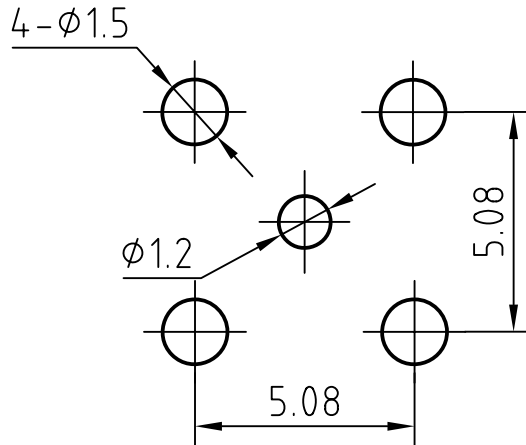


DRAWING

SMB Type male for PCB



MOUNTING HOLE



3	1	Body	Brass/Gold plated	
2	1	Insulator	PTFE	
1	1	Center contact	Brass/Gold plated	
Itemref	Quantity	Title/Name, designation, material, dimension etc		Article No./Reference

Designed by xio xang	Checked by jing lo	Approved by jing chan	File name SMB-3213-R	Date 5.05.06	Scale 5 : 1
-------------------------	-----------------------	--------------------------	-------------------------	-----------------	----------------

	SMB-3213-R		
		Edition 1.0	Sheet 1/1

## CHARACTERISTICS

DESCRIPTION: SMB Type male str for PCB solder legs

### Electrical data:

<i>Impedance:</i>	50 ohm
<i>Frequency range:</i>	DC to 4.0 GHz
<i>VSWR:</i>	$\leq 1.10 + 0.05 \times f[\text{GHz}]$
<i>Insertion loss:</i>	$\leq 0.15 \times \sqrt{f[\text{GHz}]} \text{ dB}$
<i>Insulation resistance:</i>	$\geq 1000\text{M}\Omega$
<i>Test voltage:</i>	750 V rms
<i>Working voltage:</i>	500 V rms
<i>Contact resistance:</i>	
1). Centre contact:	6.0 m $\Omega$
2). Outer conductor:	1.5 m $\Omega$

### Environmental data:

<i>Temperature rating:</i>	-65 ° C to +165 ° C
<i>2002/95/EC (RoHS):</i>	Compliant

### Mechanical data:

<i>Mating cycles:</i>	$\geq 500$
<i>Center contact captivation:</i>	$\geq 10 \text{ N(axial)}$
<i>Engagement force:</i>	$\leq 63 \text{ N}$
<i>Disengagement force:</i>	8 N min. to 63 N max.

### Suitable cables:

N/A